

When you order parts for your Oliver Stoner please provide the following information:

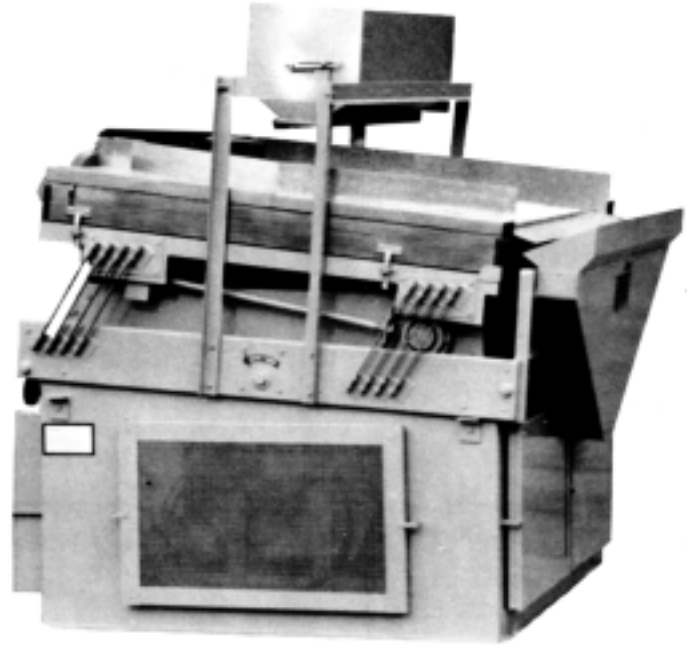
1. Your Name.
2. Company Name.
3. Shipping Address.
4. Billing Address.
5. Phone Number.
6. Machine Model Number.
7. Machine Order Number.
8. Purchase Order Number.
9. Parts required:
 - A. Part Number,
 - B. Catalog Number,
 - C. Drawing Number,
 - D. Description,
 - E. Quantity.

Having the above information ready when you call will help insure that we ship the right parts as quickly and efficiently as possible.

HiCap Stoner Parts List

Specifications For:

**Stoner Models 2448, 3648, 4848, 6048,
2448M, 3648M, 4848M and 6048M**



PLEASE READ THIS BEFORE ORDERING PARTS

All parts shipped will be painted Oliver Yellow unless otherwise specified. If special paint or color is required, please call for price quotation.

Shipping takes place as soon as possible after the order has been received. Normally, Oliver ships orders the same day received. The fastest, least expensive method will be used, unless otherwise specified.

Orders will be shipped C.O.D. unless you have established an account. To receive Net-30 day terms, please provide three industrial and one bank reference.

Your Oliver Stoner is designed to give years of trouble-free service. However, as with all machinery, periodic maintenance is required to keep it in top condition. Refer to your owners manual for maintenance instruction.

HI CAP STONER PARTS LIST

CATALOG #	DESCRIPTION	PART #
-----------	-------------	--------

AIR FILTERS

DRAWING 1

1A	FILTER BACKING WIRE 2448 18 X 12.....	A921
	26" FILTER BACKING WIRE 3648-6048.....	A93
	30" FILTER BACKING WIRE ALL.....	A99
1B	BRASS FILTER SCREEN	
	2448.....	A920
	2448-3648-4848-6048.....	A98
	3648-6048.....	A92
1C	26" AIR FILTER COMPLETE	
	3648-6048.....	A9
	30" AIR FILTER COMPLETE	
	2448-3648-4848-6048.....	A9A
	2448 END FILTER 18 X 12.....	A9C
	6048 26" DEEP FILTER COMPLETE.....	A9D
1D	FILTER BLANK	
	2448.....	A10C
	30" 4848.....	A10A
	26" 3648-6048.....	A10
1E	90 DEGREE FILTER CLAMP COMPLETE.....	HAF001
1F	FILTER FOAM TAPE.....	A11
1G	90 DEGREE LONG FILTER CLAMP COMPLETE (not shown).....	HAF003

BLOWER ASSEMBLY

DRAWING 2

2A	FAN SHAFT	
	2448.....	SB1A
	3648.....	SB1B
	4848.....	SB1C
	6048.....	SB1D
2B	BLOWER WHEEL.....	B2
2C	DRUM.....	SH10
2D	1 3/16" PILLOW BLOCK BEARING.....	B3A
2E	BEARING SUPPORT ANGLE.....	B13
2F	BEARING SUPPORT STRAP.....	B9
2G	SPINNER KNOB.....	P3
2H	AIR GATE CONTROL ROD	
	3648-4848-6048.....	SB6AC
	2448.....	SB6AAC
2I	AIR GATE PIVOT ROD	
	3648.....	B15
	4848.....	B15C
	6048.....	B15D
2J	WELDED EYE BOLT ACME.....	V5BAC
2K	AIR GATE PUSH ROD.....	B15A
2L	AIR GATE CONTROL ARM.....	B15B
2M	AIR GATE SET 3648-4848-6048.....	B10B

2N	2448 ONLY.....	B10C
20	AIR GATE SLIDES.....	B11

VARIABLE SPEED SYSTEM

DRAWING 3

3A	VARISPEED PULLEY.....	V2
3B	VARISPEED SHAFT.....	VNS1A
3C	1/2" WELDED EYE BOLT ACME.....	V5BAC
3D	VARISPEED BASE.....	VNS13
3E	VARISPEED SUPPORT ANGLE.....	VNS12
3F	VARISPEED STRAP WITH PIN.....	VNS12A
3G	SPINNER KNOB.....	P3
3H	1/2" COLLAR.....	N2
3I	3/4" PILLOW BLOCK BEARING.....	ZBGO75
3J	PLASTIC WASHER.....	WP2
3K	SPEED CONTROL ROD ACME.....	SV7AC
3L	BK80H SHEAVE.....	BK2
3M	H BUSHING 3/4".....	BK12A

IF YOU WISH TO REPLACE THE OLD STYLE VARISPEED SYSTEM (SLIDING TYPE), YOU MAY DO SO BY ORDERING PART NUMBER VNS1000AAC FOR THE 2448 & 3648 AND PART NUMBER VNS 100AC FOR THE 4848 & 6048.

THIS INCLUDES ALL OF THE ABOVE WITH THE EXCEPTIONS OF THE V2 VARISPEED PULLEY, BK2 SHEAVE AND BK12A H BUSHING.

BELTS AND DRIVES

DRAWING 4

4A	BK80H SHEAVE 2448.....	BK2
4B	2BK80H SHEAVE (not shown) 3648-4848-6048.....	BK1
4C	BK80H SHEAVE.....	BK2
4D	1 3/16" H BUSHING.....	BK9
4E	3/4" H BUSHING.....	BK12A
4F	BK45 SHEAVE.....	BK4
4G	VARISPEED PULLEY.....	V2
4H	VARISPEED SHAFT.....	VNS1A
4I	B55 BELT.....	B55
4J	B51 BELT.....	B51

CLAMPING, TILTING AND TOGGLE ASSEMBLY

DRAWING 5

5A	NRV A/C BOOT	
	2448.....	JAC300
	3648.....	KAC300
	4848.....	LAC300
	6048.....	MAC300
5B	TILT CONTROL ROD	
	2448.....	SC9A
	3648.....	SC9B

	4848.....	SC9C
	6048.....	SC9D
5C	DECK CARRIAGE	
	2448.....	ST7A
	3648.....	ST7B
	4848.....	ST7C
	6048.....	ST7D
5D	WIDTH CLAMP ROD	
	2448.....	ST8A
	3648.....	ST8B
	4848.....	ST8C
	6048.....	ST8D
5E	RIGHT SIDE STONER SPRING BOARD.....	ST2R
5F	LEFT SIDE STONER SPRING BOARD.....	ST2L
5G	PUSH ROD BRACKET RIGHT SIDE.....	ST10R
5H	PUSH ROD BRACKET LEFT SIDE.....	ST10L
5I	AIR BAFFLE	
	2448.....	C12G
	3648.....	C12H
	4848.....	C12I
	6048.....	C12J
	AIR BAFFLE WITH COUNTER BALANCE	
	2448.....	JB500
	3648.....	KB500
	4848.....	LB500
	6048.....	MB500
5J	AIR BAFFLE SUPPORT LEG.....	C13
5K	CLAMPING KNOB.....	P2
5L	LEAF SPRING KEEP.....	BL11
5M	TOGGLE LEAF SPRING.....	BL4
5N	VELCRO.....	VCROPS

ECCENTRIC ASSEMBLY

DRAWING 6

6A	ECCENTRIC BEARING W/BRACKET & BOLTS.....	HEC200
6B	ECCENTRIC BEARING.....	HEC201
6C	ECCENTRIC BEARING BRACKET.....	E11
6D	ECCENTRIC HEART.....	E2
6E	1 3/16" PILLOW BLOCK BEARING.....	B3A
6F	ECCENTRIC SHAFT	
	2448.....	JEC350
	3648.....	KEC350
	4848.....	LEC350
	6048.....	MEC350
6G	ECCENTRIC CONNECTING ROD.....	E5
6H	3/4" METAL WASHER.....	W3
6I	3/4" RUBBER WASHER.....	E7
6J	3/4" JAM NUT.....	N6
6K	BK80H SHEAVE.....	BK2
6L	1 3/16" H BUSHING.....	BK9

DECK

TYPE A DECK

DRAWING 7

7A	METAL FLOW GATE FROM ROCK TRAP.....	SD13
7B	DECK CLAMP.....	D10
7C	DECK HOLD DOWN CLIP.....	D10A
7D	DECK OVERCOVER	
	2448	
	8 MESH OVERCOVER.....	JDK158
	10 MESH OVERCOVER.....	D1J
	16 MESH OVERCOVER.....	D1J1
	30 MESH OVERCOVER.....	D1J2
	30 MESH OVERCOVER SS.....	D1J2SS
	60 MESH OVERCOVER SS.....	D1J5SS
	80 MESH OVERCOVER SS.....	D1J4SS
	10 MESH OVERCOVER SS.....	D1JSS
	16 MESH OVERCOVER SS.....	D1J1SS
	8 MESH COATED OVERCOVER.....	JDK241
	10 MESH COATED OVERCOVER.....	JDK110
	16 MESH COATED OVERCOVER.....	JDK116
	3648	
	8 MESH OVERCOVER.....	KDK158
	10 MESH OVERCOVER.....	D1K
	16 MESH OVERCOVER.....	D1K1
	30 MESH OVERCOVER.....	D1K2
	30 MESH OVERCOVER SS.....	D1K2SS
	60 MESH OVERCOVER SS.....	D1K5SS
	80 MESH OVERCOVER SS.....	D1K4SS
	10 MESH OVERCOVER SS.....	D1KSS
	16 MESH OVERCOVER SS.....	D1K1SS
	8 MESH COATED OVERCOVER.....	KDK241
	10 MESH COATED OVERCOVER.....	KDK110
	16 MESH COATED OVERCOVER.....	KDK116
	4848	
	8 MESH OVERCOVER.....	LDK158
	10 MESH OVERCOVER.....	D1L
	16 MESH OVERCOVER.....	D1L1
	30 MESH OVERCOVER.....	D1L2
	30 MESH OVERCOVER SS.....	D1L2SS
	60 MESH OVERCOVER SS.....	D1L5SS
	80 MESH OVERCOVER SS.....	D1L4SS
	10 MESH OVERCOVER SS.....	D1LSS
	16 MESH OVERCOVER SS.....	D1L1SS
	8 MESH COATED OVERCOVER.....	LDK241
	10 MESH COATED OVERCOVER.....	LDK110
	16 MESH COATED OVERCOVER.....	LDK116
	6048	
	8 MESH OVERCOVER.....	MDK158
	10 MESH OVERCOVER.....	D1M
	16 MESH OVERCOVER.....	D1M1
	30 MESH OVERCOVER.....	D1M2
	30 MESH OVERCOVER SS.....	D1M2SS

	60 MESH OVERCOVER SS.....	D1M5SS
	80 MESH OVERCOVER SS.....	D1M4SS
	10 MESH OVERCOVER SS.....	D1MSS
	16 MESH OVERCOVER SS.....	D1M1SS
	8 MESH COATED OVERCOVER.....	MDK241
	10 MESH COATED OVERCOVER.....	MDK110
	16 MESH COATED OVERCOVER.....	MDK116
7E	PARTING STRIP SET	
	2448.....	D3M
	3648.....	D3N
	4848.....	D3P
	6048.....	D3Q
7F	UNDER COVER SET	
	2448.....	D4J
	3648.....	D4K
	4848.....	D4L
	6048.....	D4M
7G	DECK RAIL SET	
	2448.....	SD11A
	3648.....	SD11B
	4848.....	SD11C
	6048.....	SD11D
7H	DECK FELT SET	
	2448.....	D11F
	3648.....	D11G
	4848.....	D11H
	6048.....	D11I
7I	RIFFLE SET	
	2448.....	HAS NO RIFFLES
	3648.....	SD2C
	4848.....	SD2D
	6048.....	SD2E
7J	APRON METAL	
	2448.....	SD12
	3648.....	SD121
	4848.....	SD122
	6048.....	SD123
7K	METAL UNDER GATE.....	SD14
7L	DECK FRAME	
	2448.....	D36
	3648.....	D37
	4848.....	D38
	6048.....	D39
7M	DECK RIBS	
	2448.....	D40
	3648.....	D42
	4848-6048.....	D44

DECK

TYPE B DECK

DRAWING 8

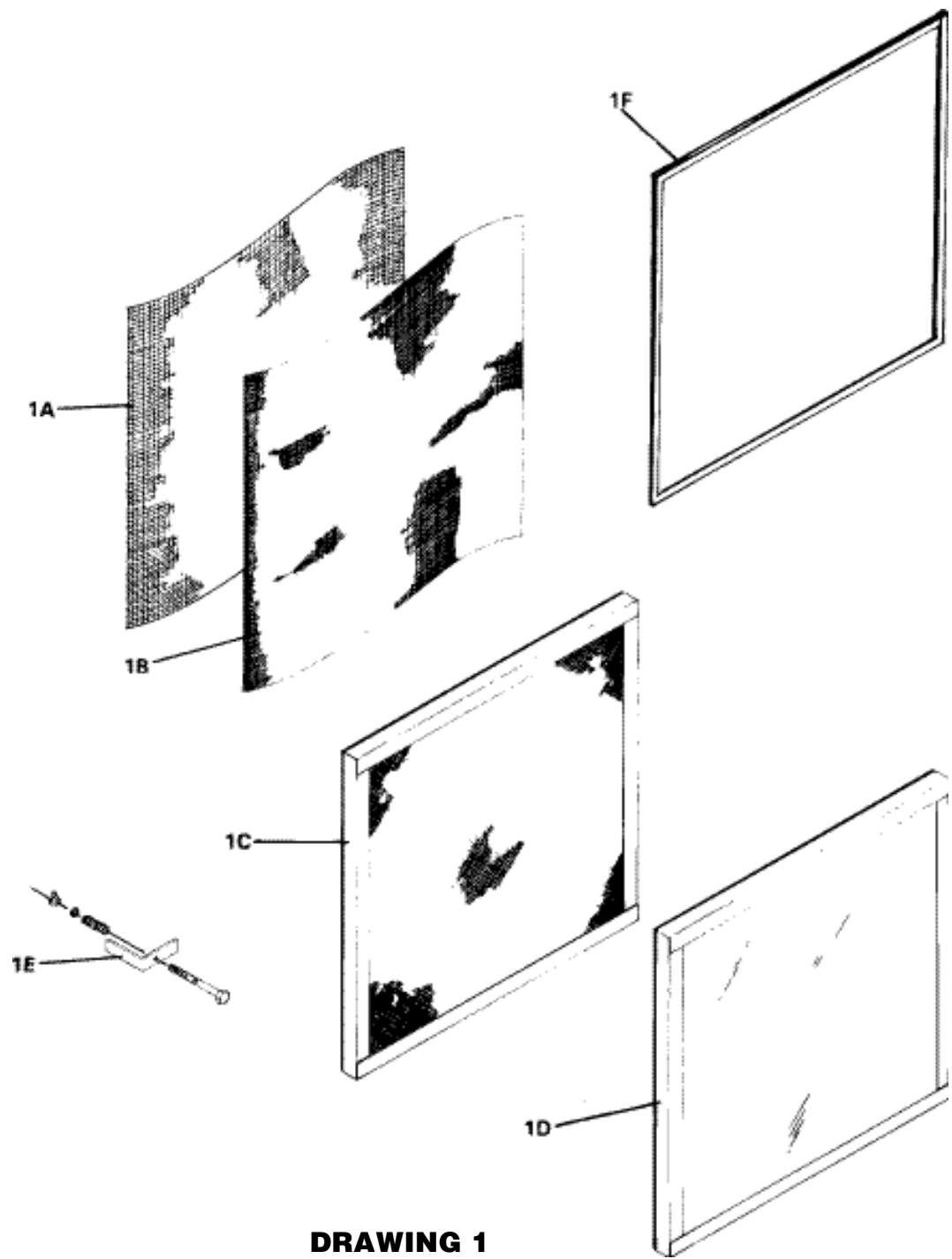
8A	METAL FLOW GATE FROM ROCK TRAP.....	SD13
8B	DECK CLAMP.....	D10
8C	DECK HOLD DOWN CLIP.....	D10A
8D	DECK OVERCOVER	
	2448	
	30 MESH OVERCOVER.....	D1J2
	30 MESH OVERCOVER SS.....	D1J2SS
	60 MESH OVERCOVER SS.....	D1J5SS
	80 MESH OVERCOVER SS.....	D1J4SS
	LINEN OVERCOVER.....	D1J3
	3648	
	30 MESH OVERCOVER.....	D1K2
	30 MESH OVERCOVER SS.....	D1K2SS
	60 MESH OVERCOVER SS.....	D1K5SS
	80 MESH OVERCOVER SS.....	D1K4SS
	LINEN OVERCOVER.....	D1K3
	4848	
	30 MESH OVERCOVER.....	D1L2
	30 MESH OVERCOVER SS.....	D1L2SS
	60 MESH OVERCOVER SS.....	D1L5SS
	80 MESH OVERCOVER SS.....	D1L4SS
	LINEN OVERCOVER.....	D1L3
	6048	
	30 MESH OVERCOVER.....	D1M2
	30 MESH OVERCOVER SS.....	D1M2SS
	60 MESH OVERCOVER SS.....	D1M5SS
	80 MESH OVERCOVER SS.....	D1M4SS
	LINEN OVERCOVER.....	D1M3
8E	PARTING STRIP SET	
	2448.....	D3M1
	3648.....	D3N1
	4848.....	D3P1
	6048.....	D3Q1
8F	UNDERCOVER SET	
	2448.....	D4J1
	3648.....	D4K1
	4848.....	D4L1
	6048.....	D4M1
8G	DECK RAIL SET	
	2448.....	SD11A
	3648.....	SD11B
	4848.....	SD11C
	6048.....	SD11D
8H	DECK FELT SET	
	2448.....	D11F
	3648.....	D11G
	4848.....	D11H
	6048.....	D11I

8I	APRON METAL	
	2448.....	SD12
	3648.....	SD121
	4848.....	SD122
	6048.....	SD123
8J	METAL UNDER GATE.....	SD14
8K	DECK FRAME	
	2448.....	D36
	3648.....	D37
	4848.....	D38
	6048.....	D39
8L	DECK RIBS	
	2448.....	D40
	3648.....	D42
	4848-6048.....	D44
8M	CLOTH SUPPORT WIRE (Linen Decks Only)	
	2448.....	SD7A
	3648.....	SD7B
	4848.....	SD7C
	6048.....	SD7D

COUNTER BALANCE

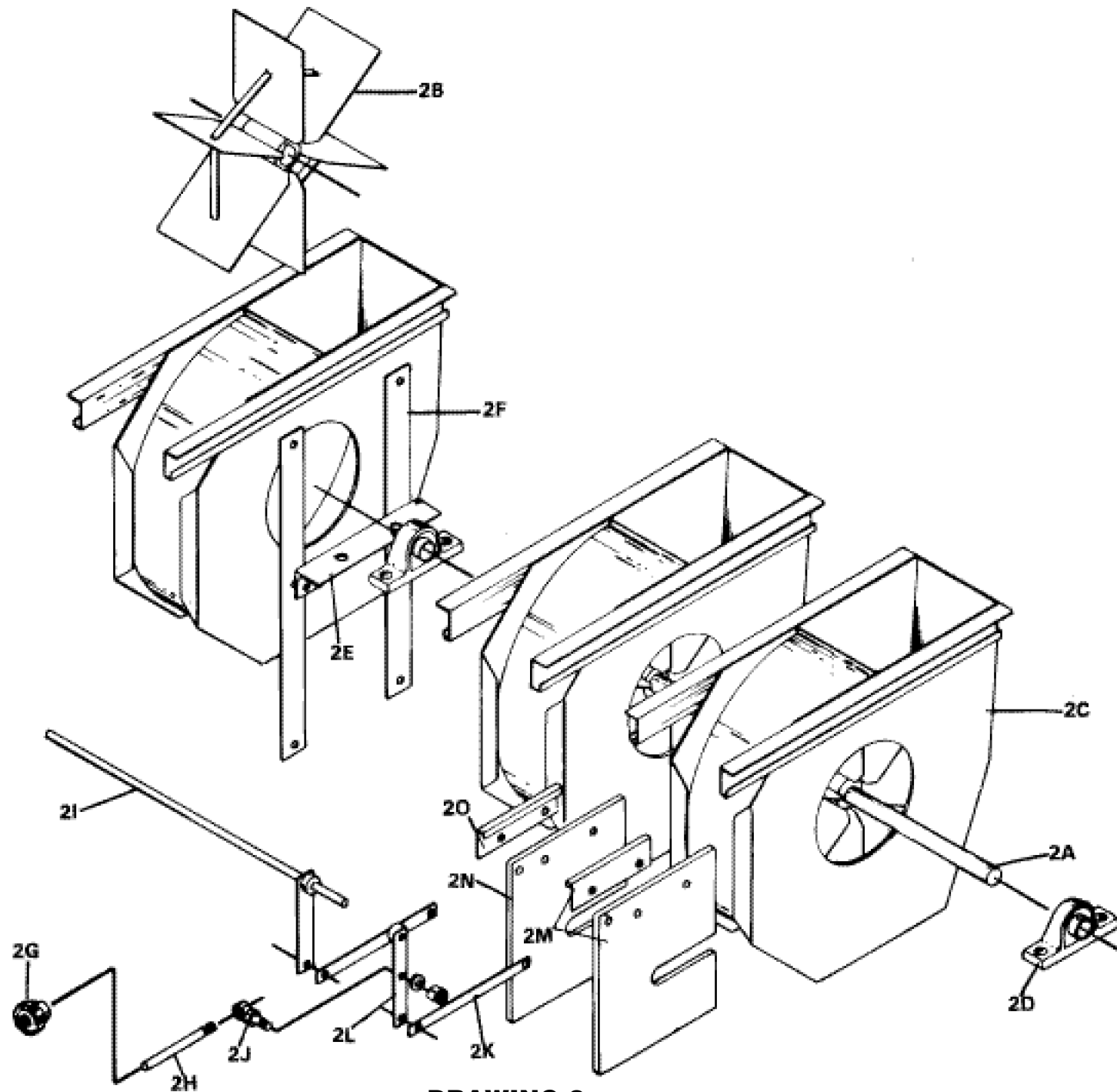
DRAWING 9

9A	C/W BEARING W/BRACKET AND BOLTS.....	HEC100
9B	1-3/16 PILLOW BLOCK BEARING (LOK).....	B3A
9C	ECCENTRIC HEART.....	E2
9D	1-3/4" C/W PUSH ROD BEARING.....	HEC201
9E	C/W BEARING BRACKET.....	HEC111
9F	C/W ECCENTRIC SHAFT	
	2448.....	JEC350
	3648.....	KEC350
	4848.....	LEC350
	6048.....	MEC350
9G	STONER C/W TOGGLE SUPPORT ANGLE.....	HEC330
9H	DRIVE ROD	
	2448.....	JEC320
	3648.....	KEC320
	4848.....	MEC320
	6048.....	MEC320
9I	1" NYLON LOCK NUT.....	ZNT510
9J	1" FLAT WASHER.....	ZWA950
9K	C/W MOUNTING BAR	
	2448.....	JEC300
	3648.....	KEC300
	4848.....	LEC300
	6048.....	MEC300
9L	SCOTCHPLY BACK PLATE 2X2-1/2.....	SSB101
9M	SCOTCHPLY TOGGLE 2X10-1/2.....	ZFG125
9N	C/W PLATE	
	3648 25-1/4.....	KEC301
	4848 22" PLATE.....	LEC301
	6048 34" PLATE.....	MEC301
9P	1" JAM NUT.....	ZNT900



[Return to List](#)

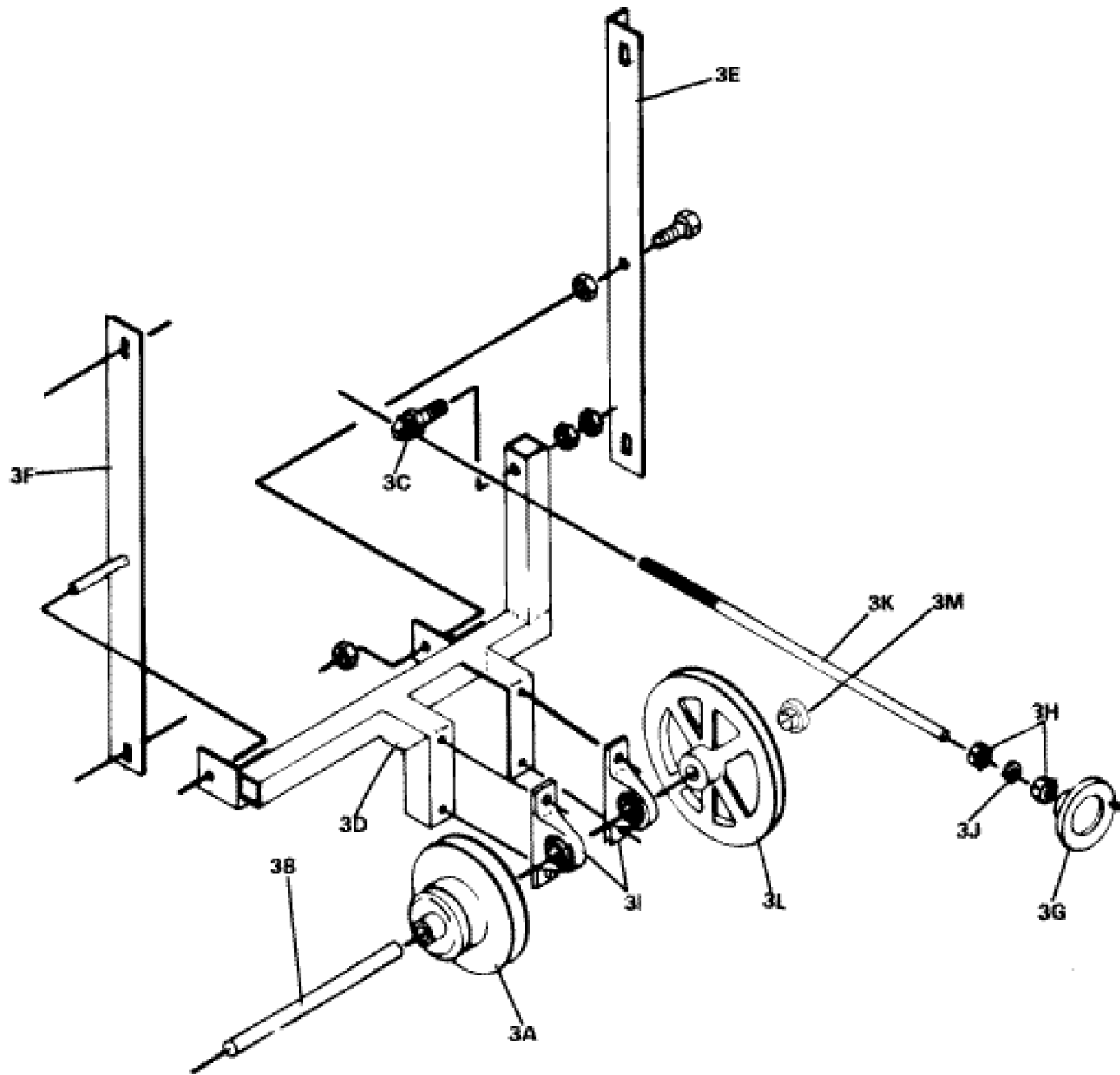
DRAWING 1



[Return to List](#)

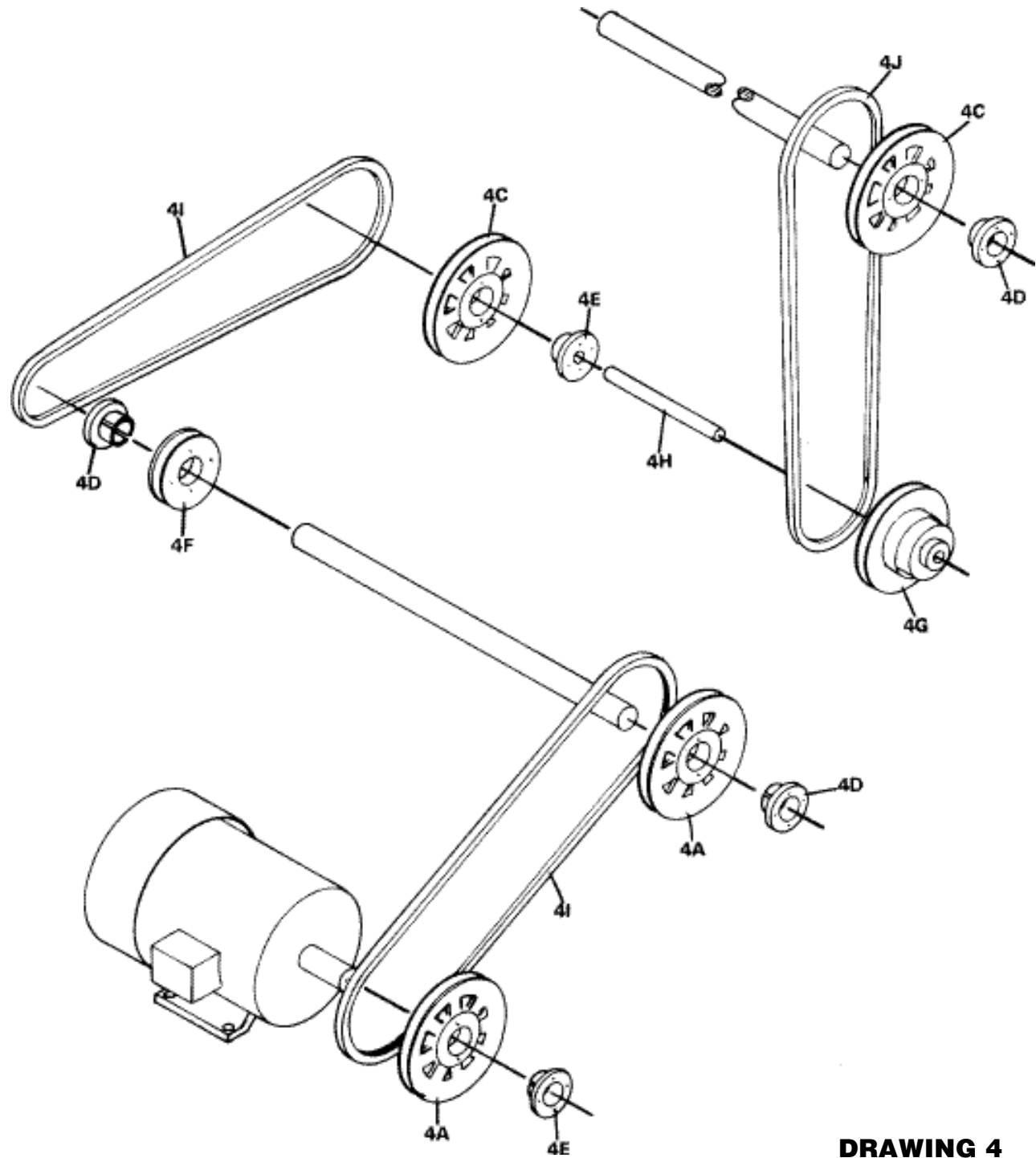
May 1992 D.K.

DRAWING 2



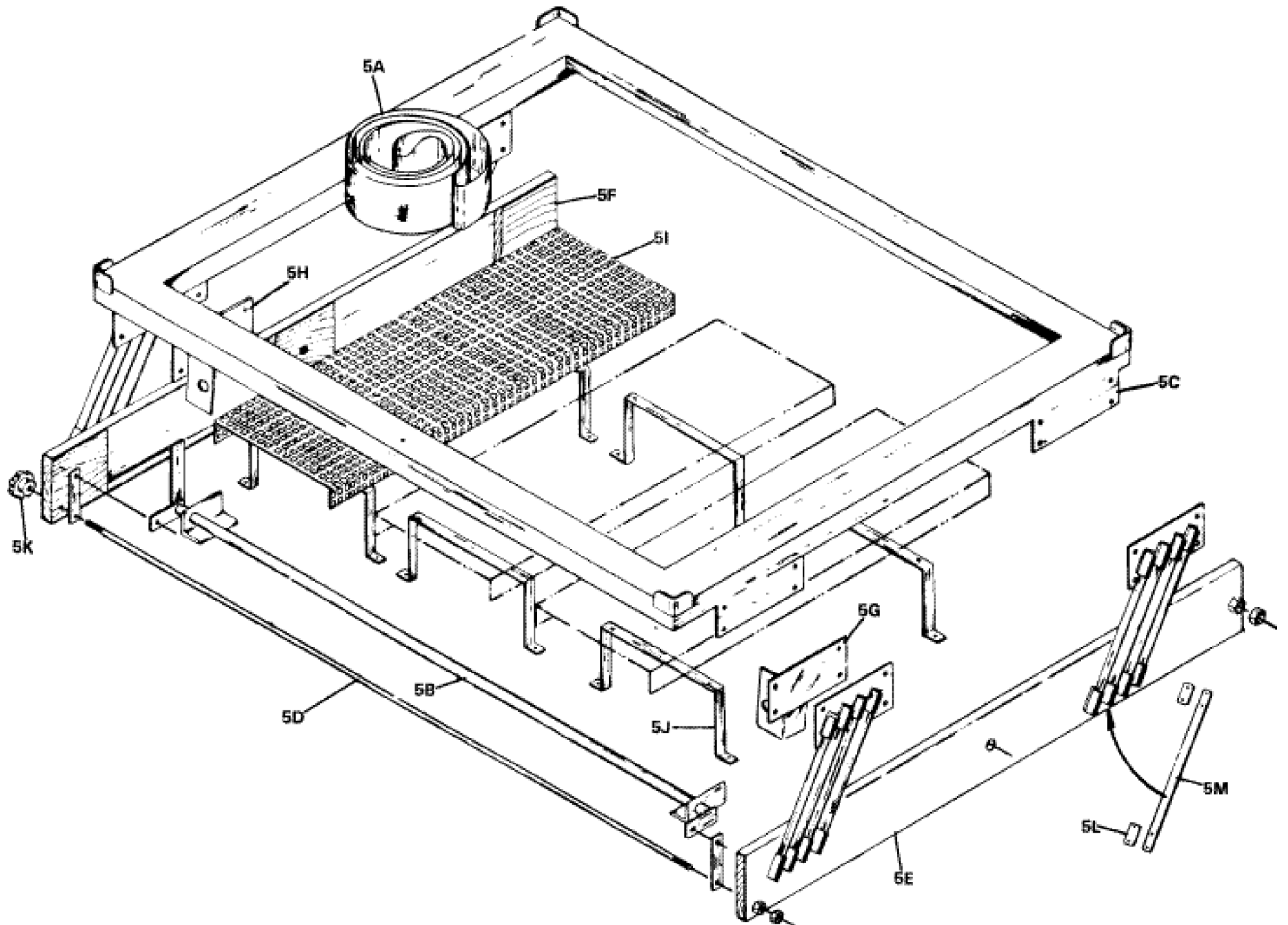
DRAWING 3

Return to List



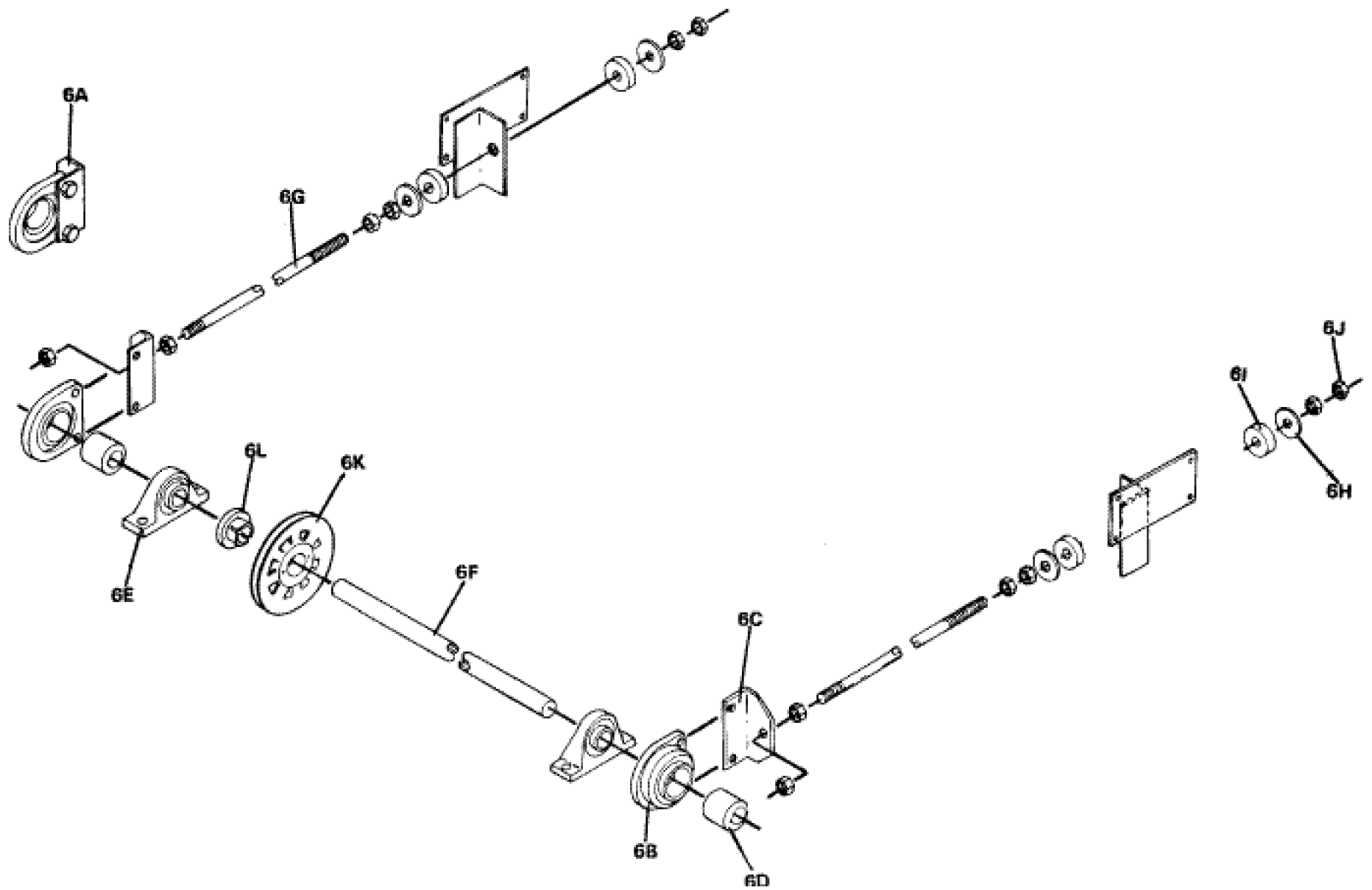
[Return to List](#)

DRAWING 4



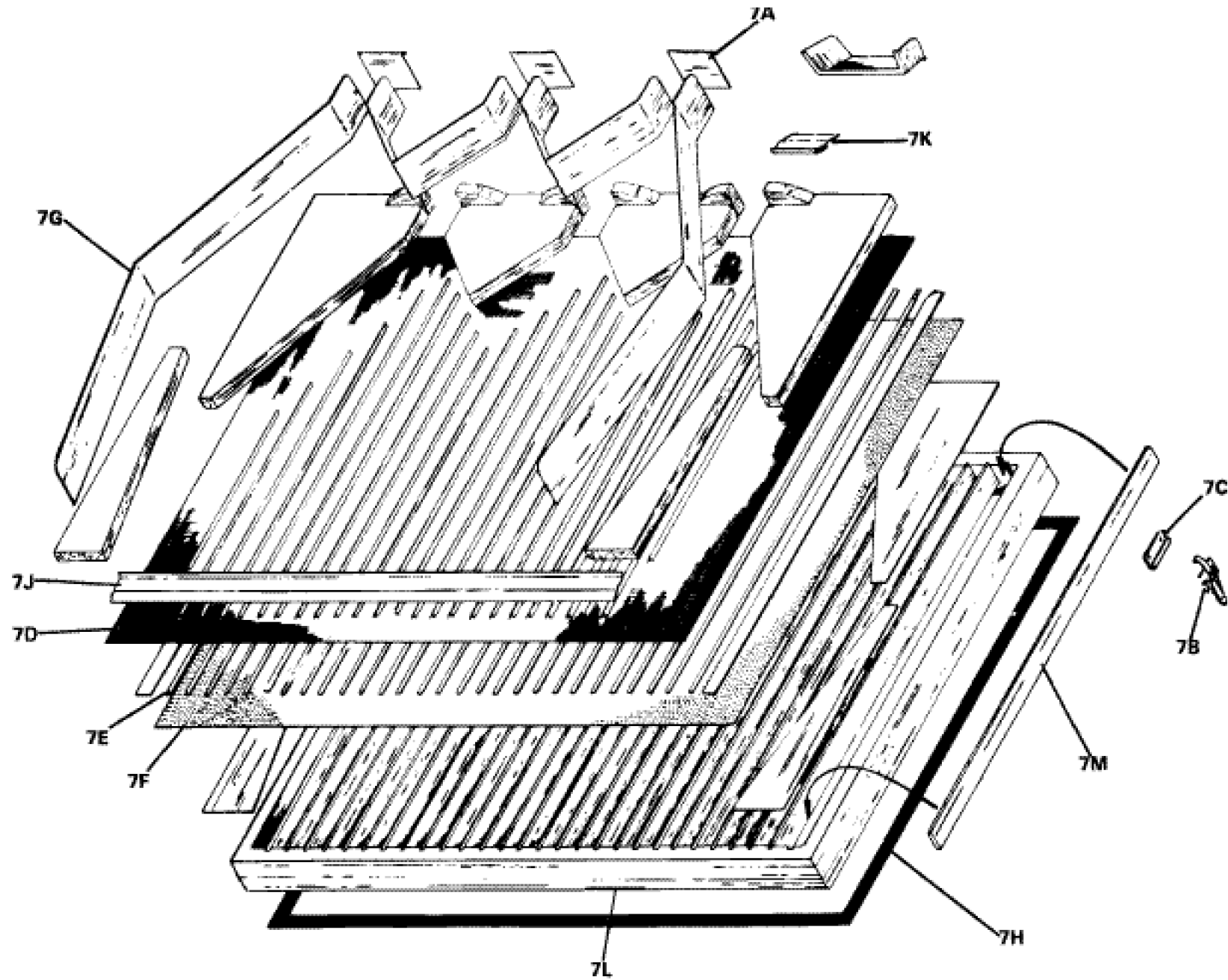
DRAWING 5

[Return to List](#)



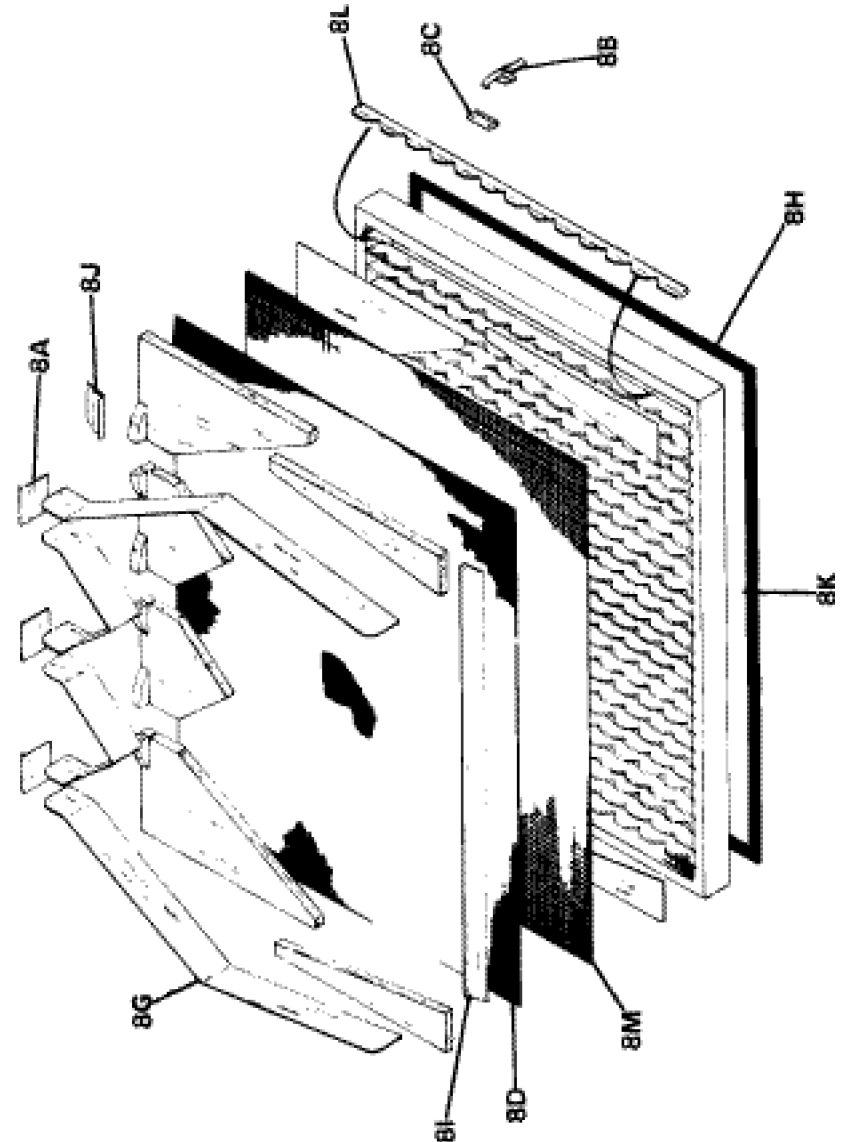
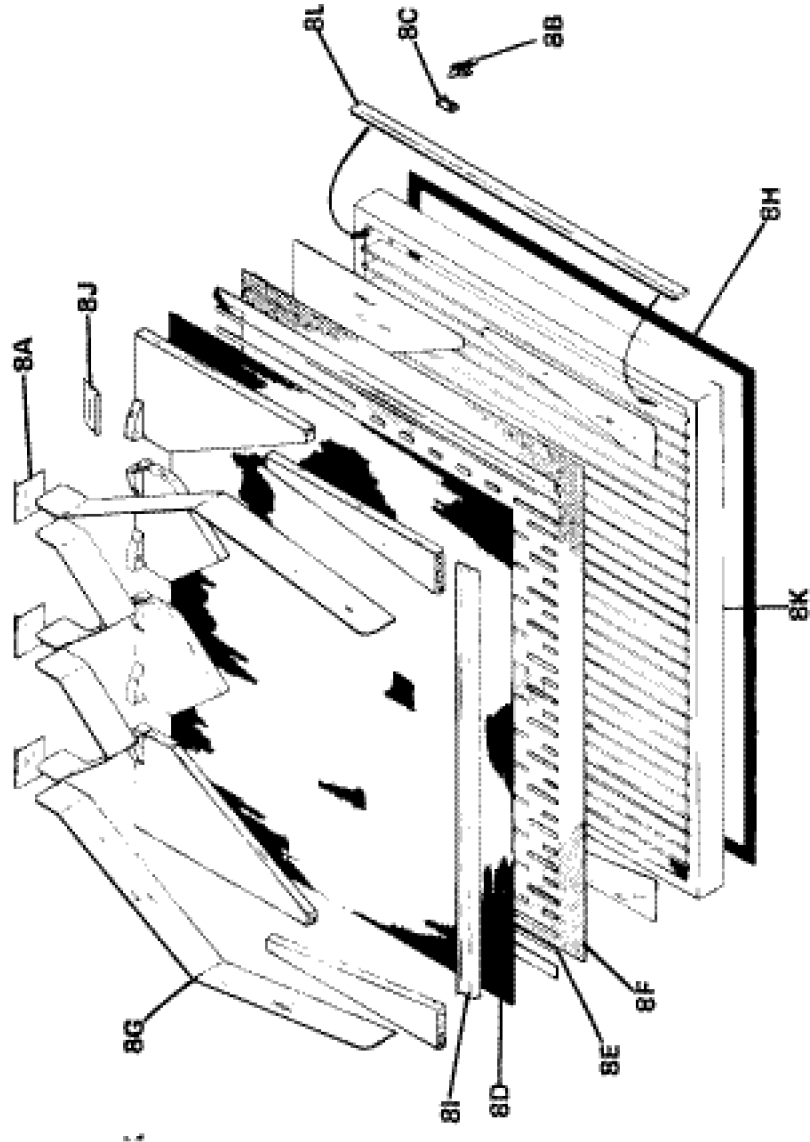
[Return to List](#)

DRAWING 6



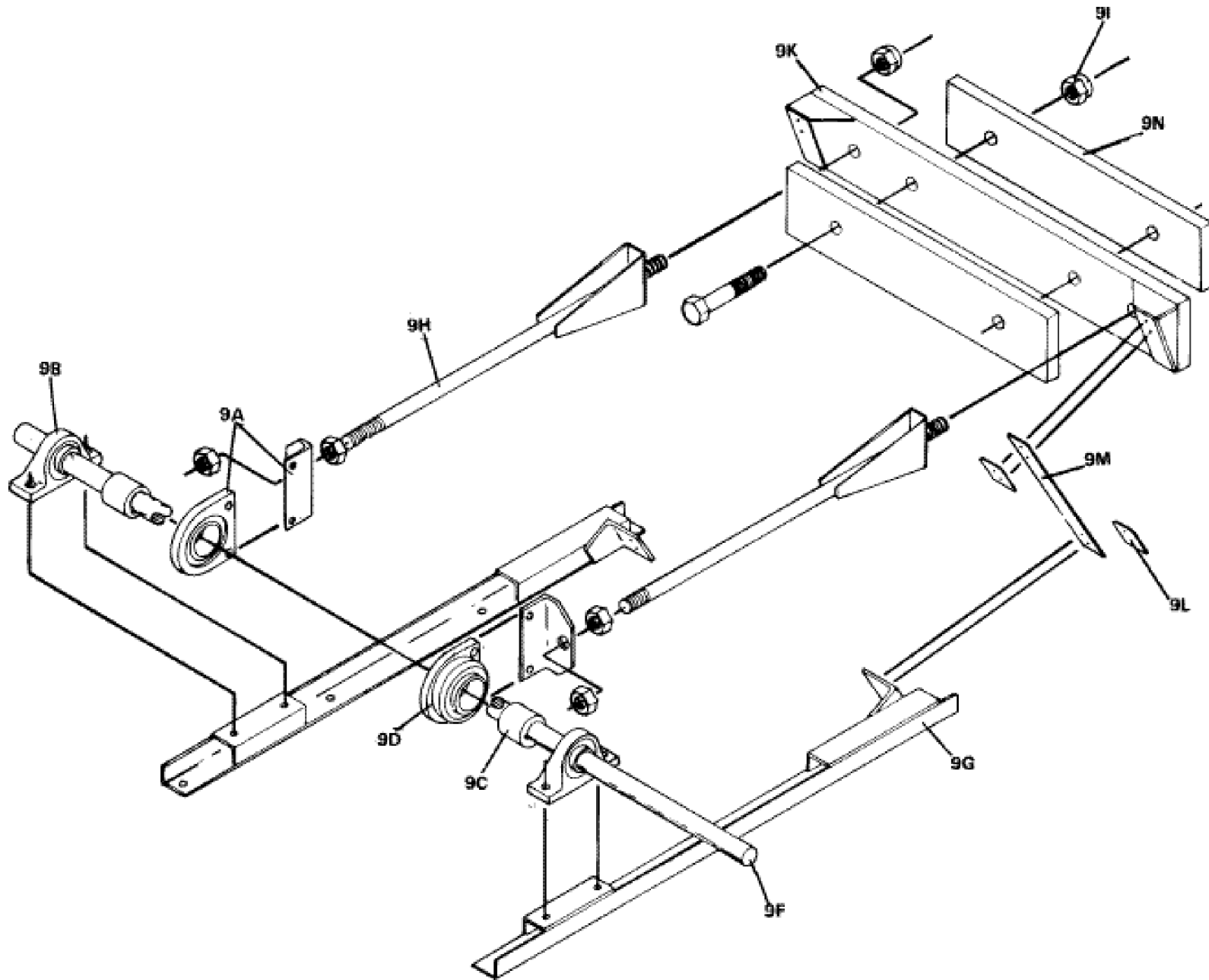
[Return to List](#)

DRAWING 7



[Return to List](#)

DRAWING 8



[Return to List](#)

DRAWING 9